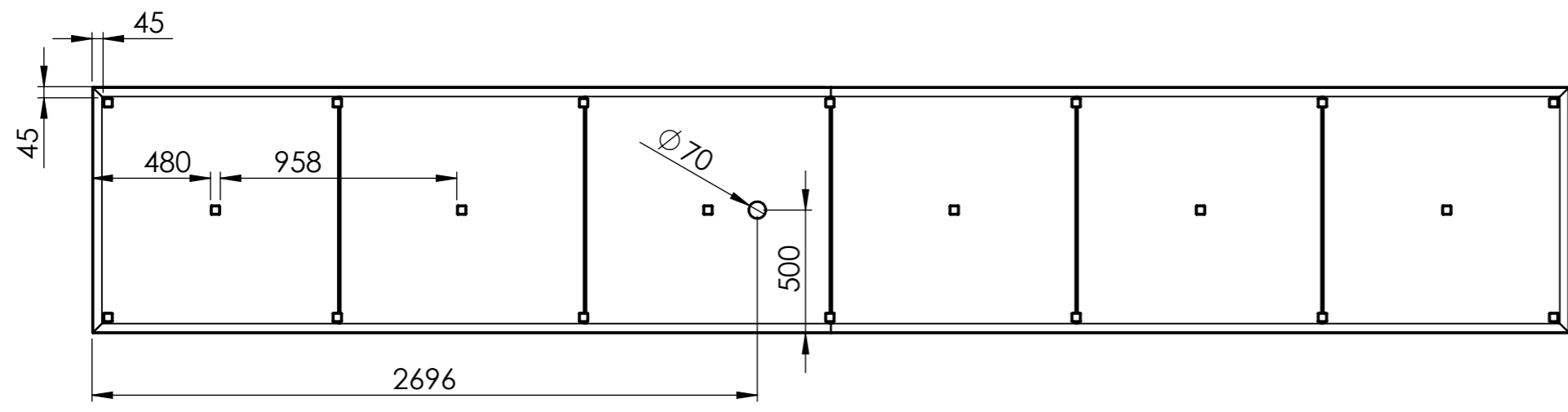


DETAIL A
SCALE 1 : 5



ITEM NO.	PART NUMBER	Thickness	DESCRIPTION	Def ault /QT Y.
1	CB1. Base	3 mm	Corten	1
2	CB1. Cover	3 mm	Corten	1

DRAWN	Joris Koppens	DATE	10-10-2019
REVISION	Benny Dijkhuis	DATE	23-3-2020



TITLE:
3mm Corten

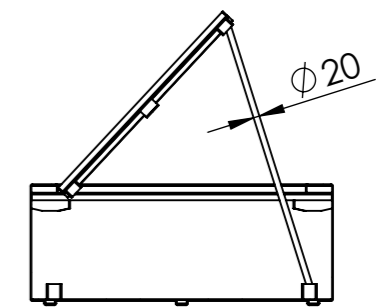
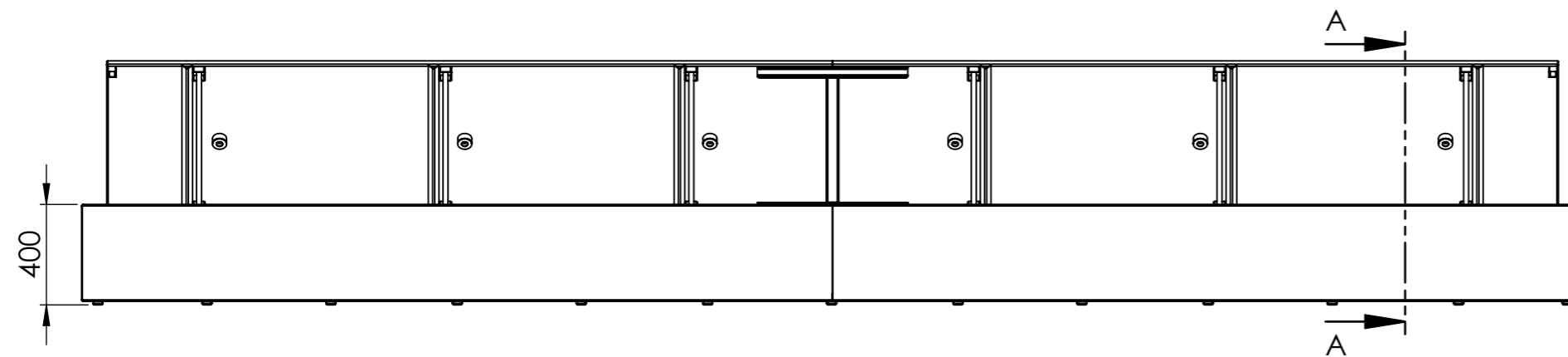
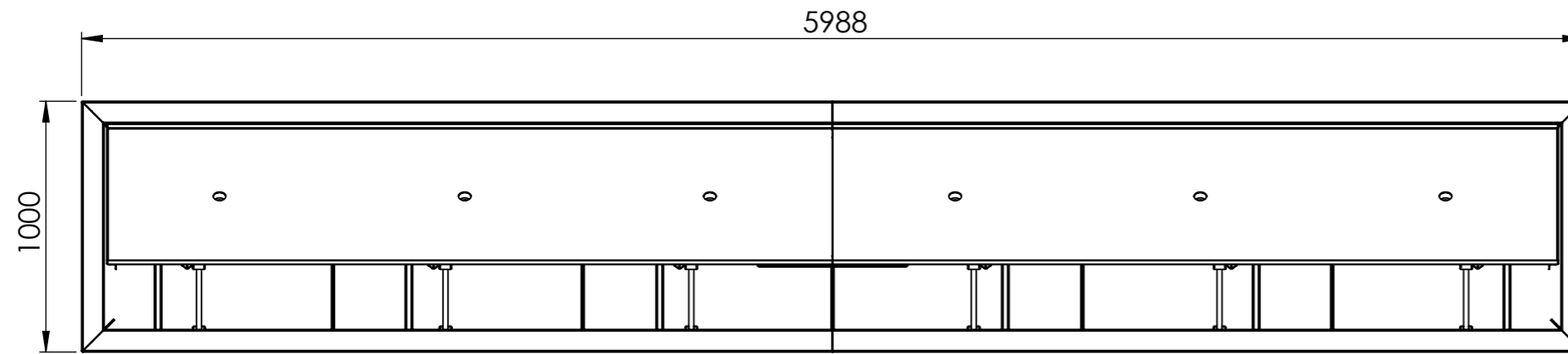
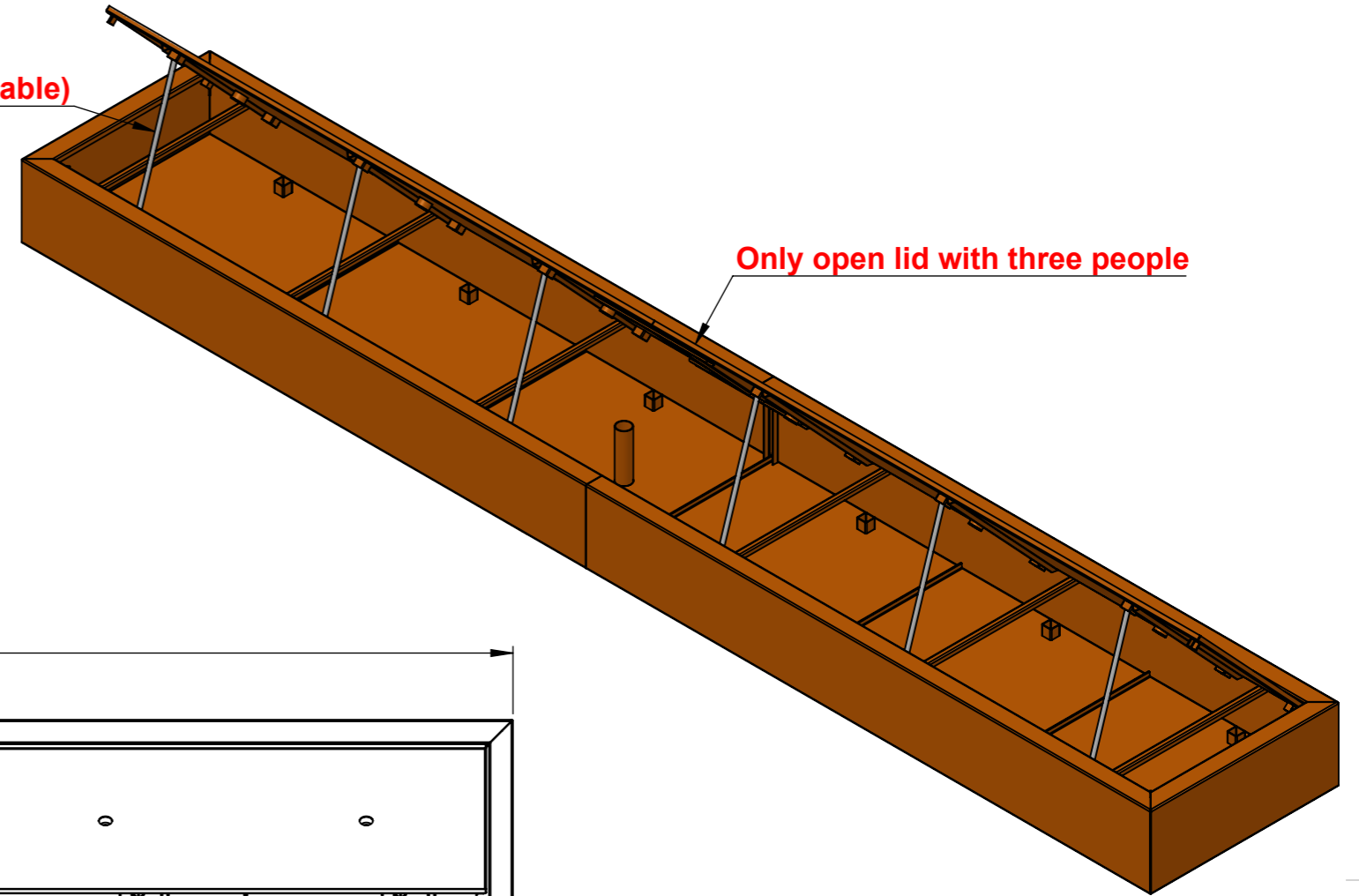


Liessentstraat 4, 5405 AG Uden (NL).
t 0031 (0)413 - 27 41 68.
e info@adezz.com, i www.adezz.com

Drawing: **CB1. 6000x1000x400** A3

Only use supplied rods to support the lid
(store these rods well, outside the water table)

Only open lid with three people



SECTION A-A

DRAWN	Joris Koppens	DATE	10-10-2019		TITLE:	3mmCorten	
REVISION	Benny Dijkhuis		23-3-2020		Drawing:	CB1. 6000x1000x400	A3
				Liessentstraat 4, 5405 AG Uden (NL). † 0031 (0)413 - 27 41 68. e info@adezz.com, i www.adezz.com	Color:	-	Mass (kg): 453.05
				SCALE:1:25	SHEET 2 OF 25		