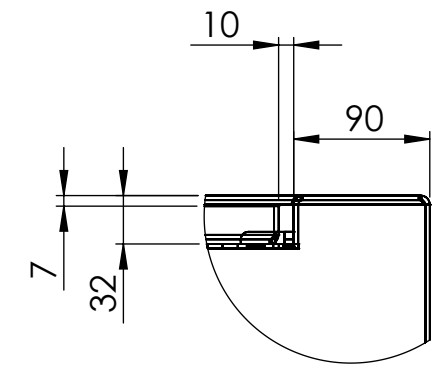
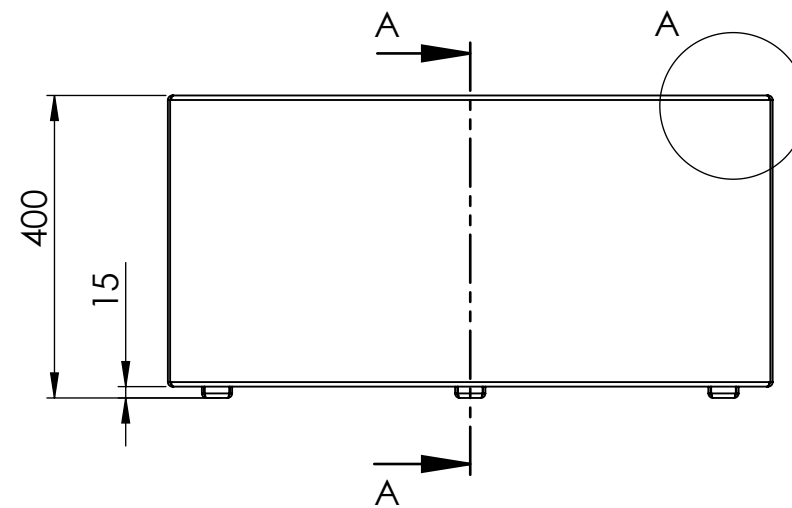
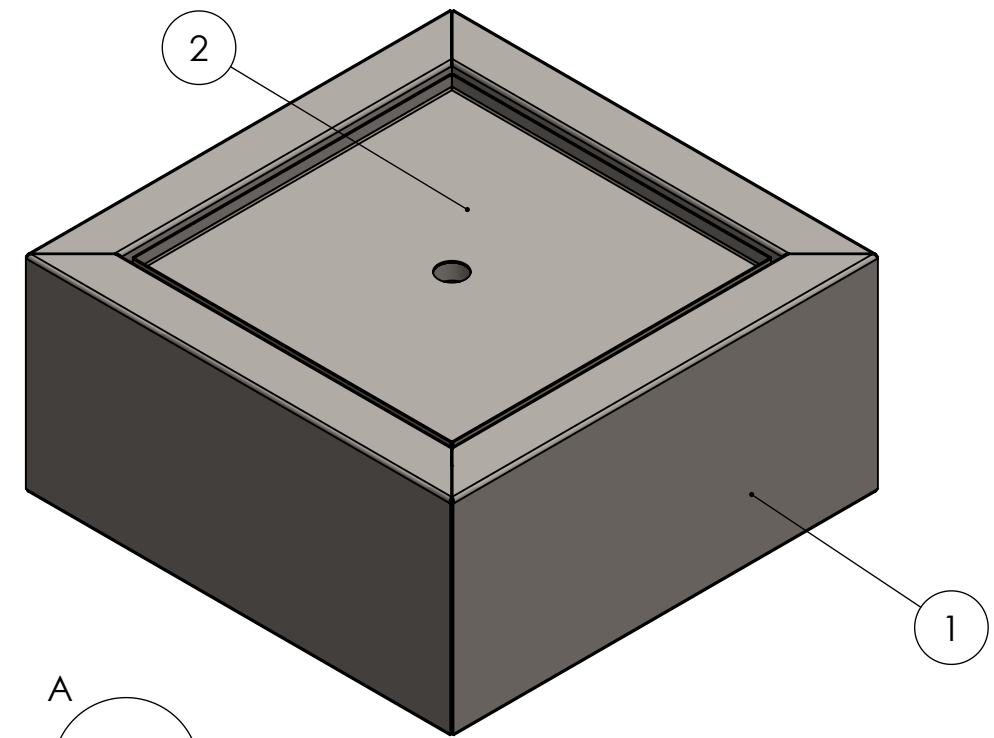
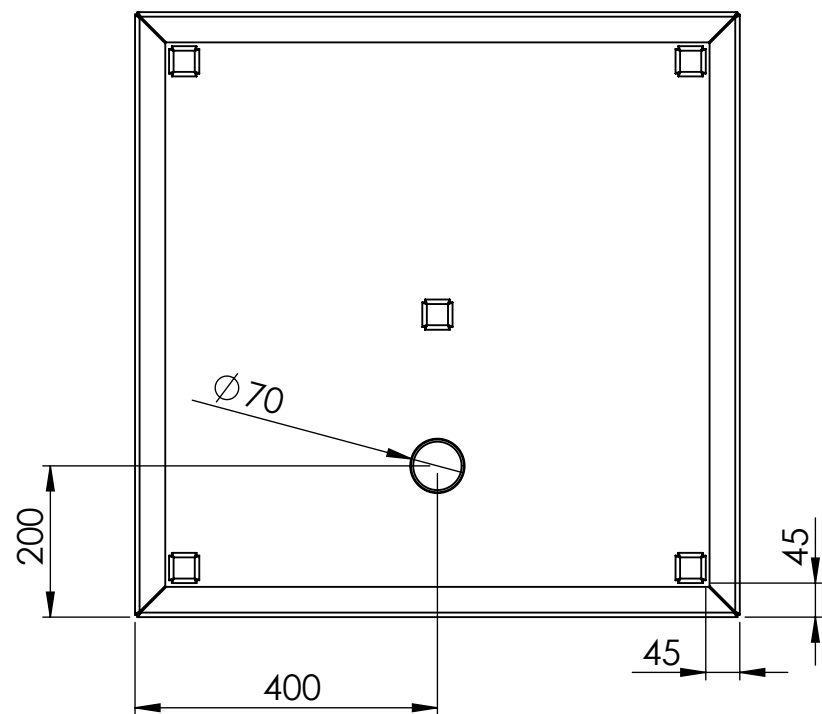


SECTION A-A



DETAIL A
SCALE 1 : 5

ITEM NO.	PART NUMBER	Thickness	DESCRIPTION	Default/QTY.
1	AB13.-Base	3 mm	Aluminum	1
2	AB13.-Cover	3 mm	Aluminum	1

DRAWN	Luuk van den Heuvel	DATE	23-11-2020		TITLE:	3 mm Aluminium	
REVISION					Drawing.	AB13.	A3
		Liessentstraat 4, 5405 AG Uden (NL). t 0031 (0)413 - 27 41 68. e info@adezz.com, i www.adezz.com		Color:	Mass (kg):	22.87	SCALE:1:10
							SHEET 1 OF 14