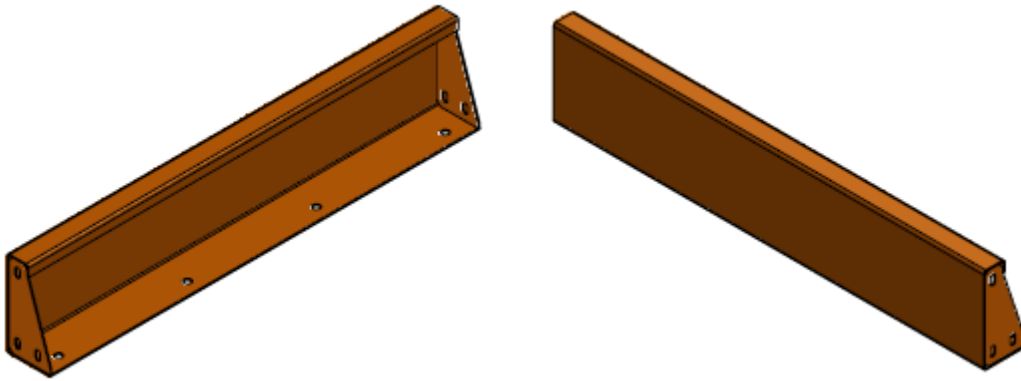
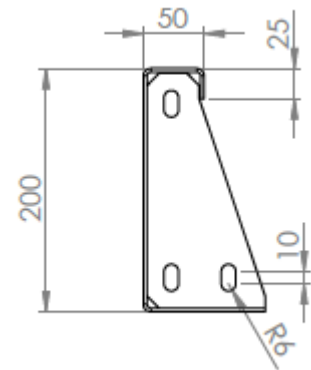


Retaining walls

With our range of retaining walls you can endlessly combine and almost any shape can be realised easily and quickly in your garden design. A prefab system that is easy to install with the supplied fasteners. These retaining walls have a top edge of 50x25mm as standard.

Options:

- Available in 2 different materials: CorTen Steel and coated Aluminum
- Height: 200, 300, 400 and 600mm
- Straight pieces in length: 1000, 1500 and 2000mm
- Inside and outside corners, in lengths of 500 and 1000mm
- Inside and outside curves, with radius of 500 and 1000mm



Attach the sections to each other using the supplied bolts and nuts (M10x30)

Retaining wall Straight
1000mm
1500mm
2000mm

Retaining wall Outside corner
500mm
1000mm

Retaining wall Inside corner
500mm
1000mm

Retaining wall Outside curve
500mm
1000mm
1500mm
2000mm

Retaining wall Inside curve
500mm
1000mm
1500mm
2000mm

