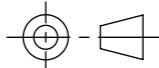



DRAWN	Pleuni Bongers	DATE	10-11-2022		TITLE:	MOPNC.2300	
REVISION					Drawing:	MOPNC.2300	A3
				Liessentstraat 4, 5405 AG Uden (NL). † 0031 (0)413 - 27 41 68. e info@furns.nl, † www.furns.nl		SCALE:1:20	SHEET 1 OF 3
Color:	-	Mass(kg):					