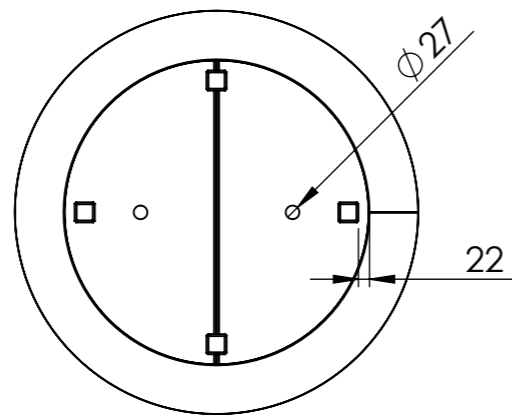



DETAIL A
SCALE 1 : 5



| | | | | | | | |
|---|----------------|------------|--------------|--|----------|---------------|----|
| DRAWN | Benny Dijkhuis | DATE | 5-11-2019 |  | TITLE: | 2mm Corten | |
| REVISION | Benny Dijkhuis | DATE | 3-2-2022 | | Drawing: | CC6.2 800x600 | A3 |
|  | | | | Liessentstraat 4, 5405 AG Uden (NL). † 0031 (0)413 - 27 41 68. e info@adezz.com, i www.adezz.com | | | |
| Color: | - | Mass (kg): | 28.51 | SCALE: | 1:15 | SHEET 1 OF 7 | |