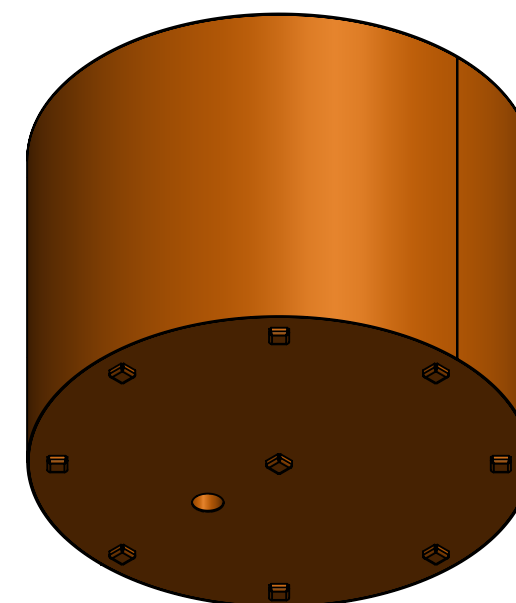
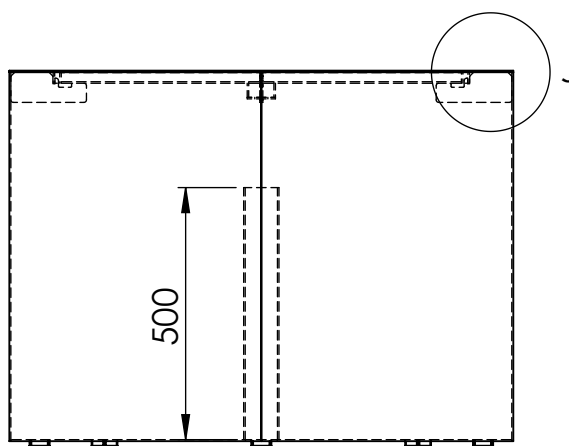
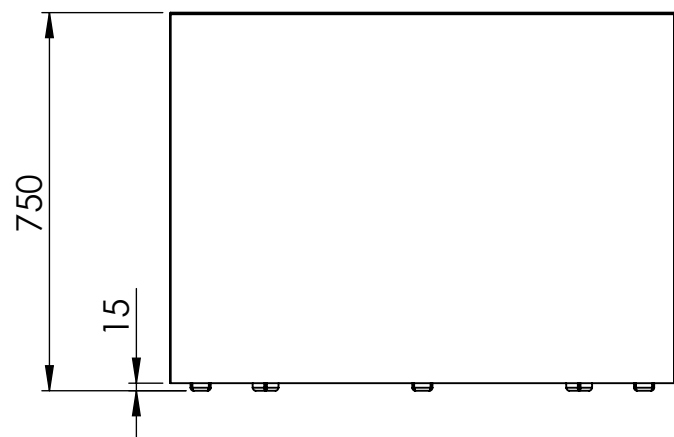
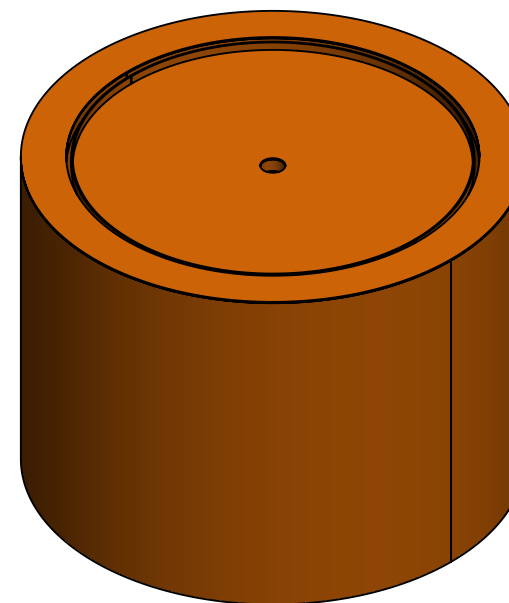


DETAIL J  
SCALE 2 : 15



		DATE		TITLE:  <b>3mm Corten</b>	
DRAWN	Luuk van den Heuvel	18-1-2022			
REVISION	Luuk van der Heuvel	16-3-2022		Drawing.	
			Liessentstraat 4, 5405 AG Uden (NL). † 0031 (0)413 - 27 41 68. e info@adezz.com, i www.adezz.com		A3
Color:	-	Mass (kg):	<b>96.44</b>	SCALE:1:15	SHEET 1 OF 15