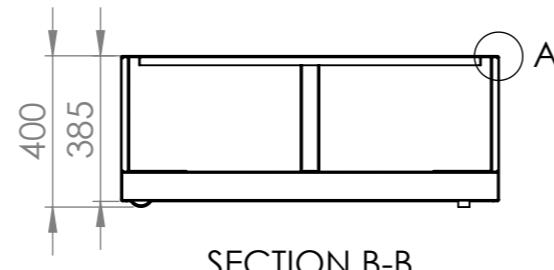
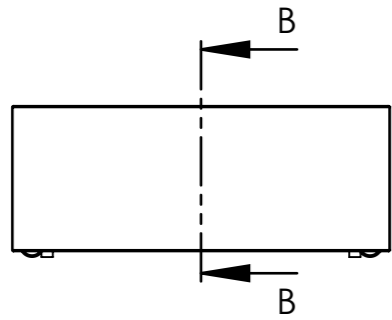
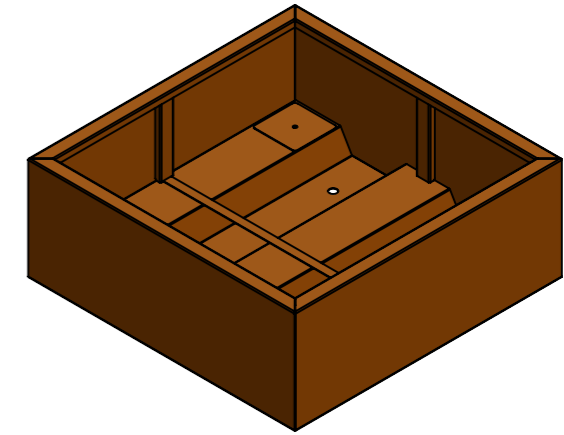
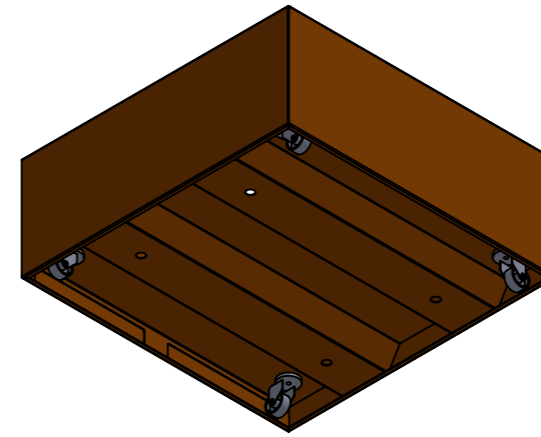
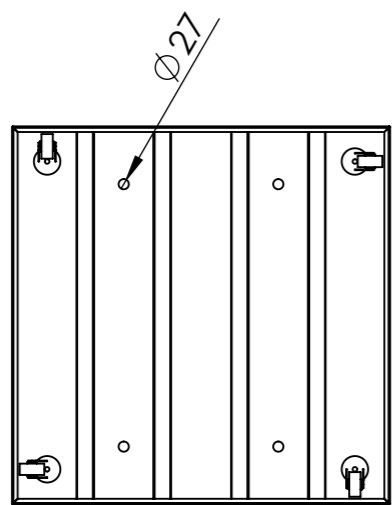


DETAIL A
SCALE 1 : 2



SECTION B-B



DRAWN	Benny Dijkhuis	DATE	8-11-2019		TITLE:
REVISION	Luuk van der Heuvel	DATE	9-12-2020		

2mm Corten

ADEZZ[®]
WE PRODUCE GARDEN PRODUCTS FOR PROFESSIONALS

Liessentstraat 4, 5405 AG Uden (NL).
 † 0031 (0)413 - 27 41 68.
 e info@adezz.com, i www.adezz.com

Drawing: CAWL 5.3

A3

Color:	Mass (kg): 51.46	SCALE:1:20	SHEET 1 OF 7
--------	-------------------------	------------	--------------