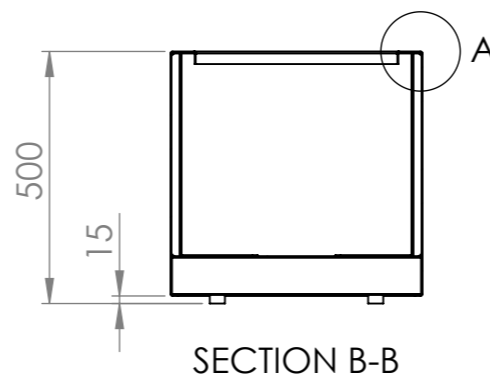
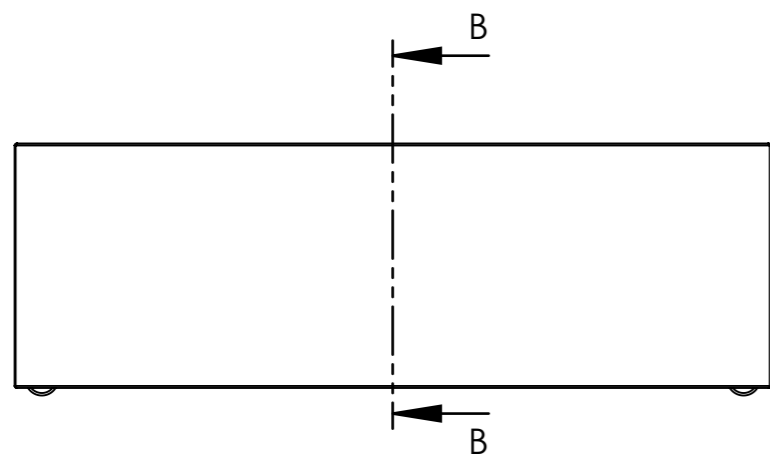
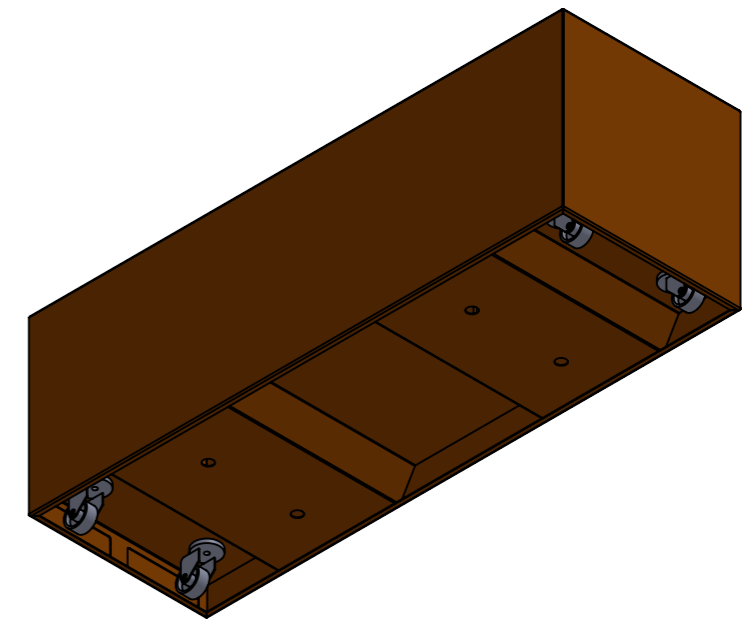
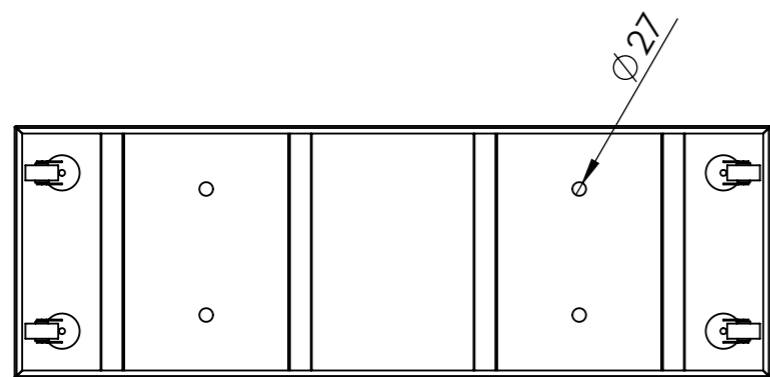
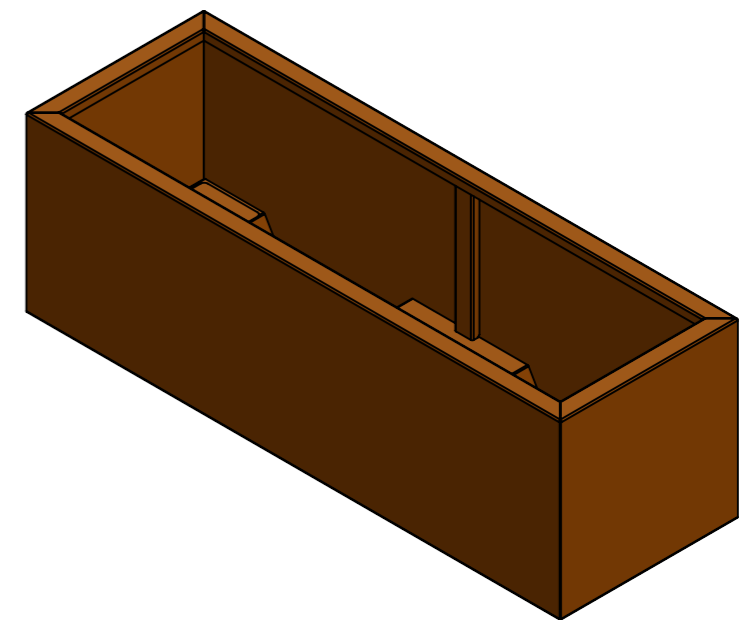


DETAIL A
SCALE 1 : 2



SECTION B-B



DRAWN	Luuk van den Heuvel	DATE	17-2-2020	
REVISION	Luuk van der Heuvel	DATE	9-12-2020	
		Liessentstraat 4, 5405 AG Uden (NL). † 0031 (0)413 - 27 41 68. e info@adezz.com, i www.adezz.com		
Color:		Mass (kg):	51.07	

TITLE:	2mm Corten	
Drawing:	CAWL 23.1	A3
SCALE:	1:15	SHEET 1 OF 7