

1 2 3 4 5 6 7 8

A

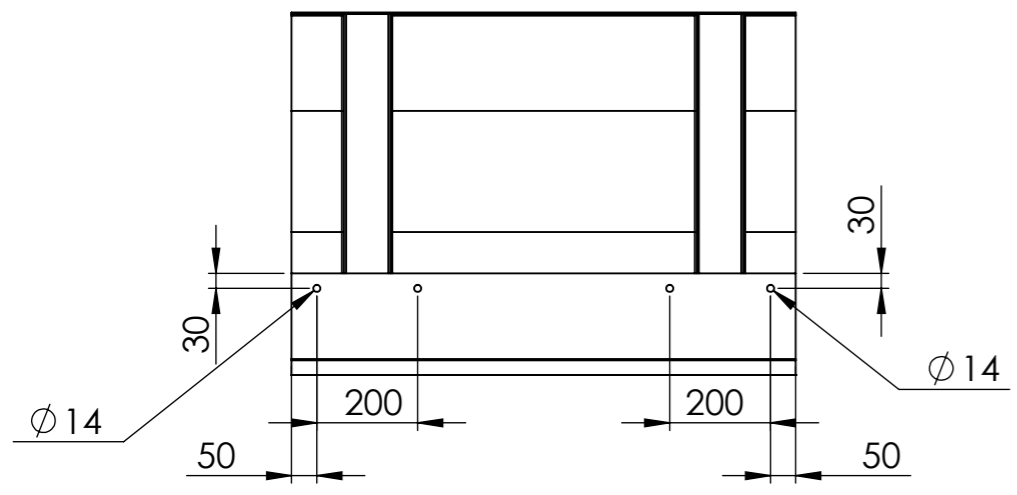
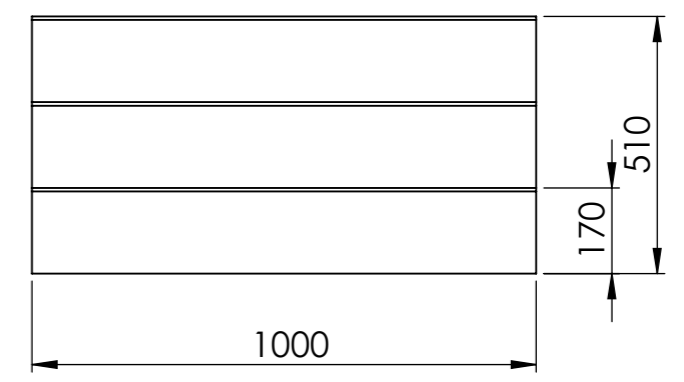
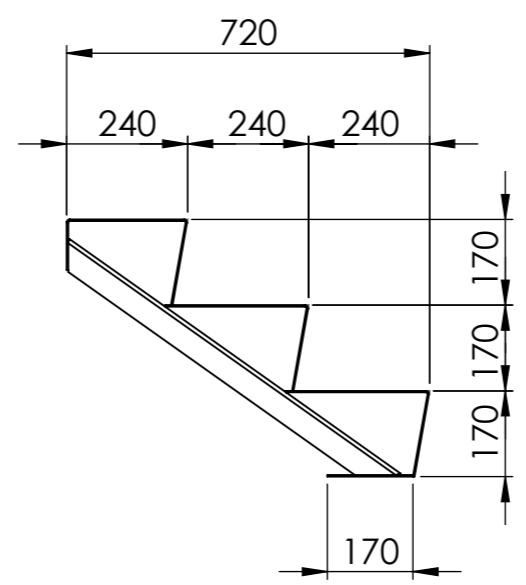
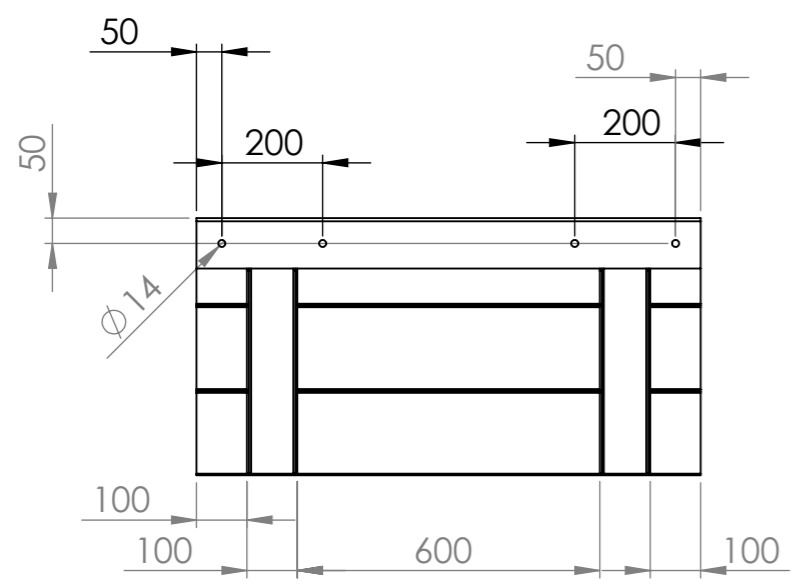
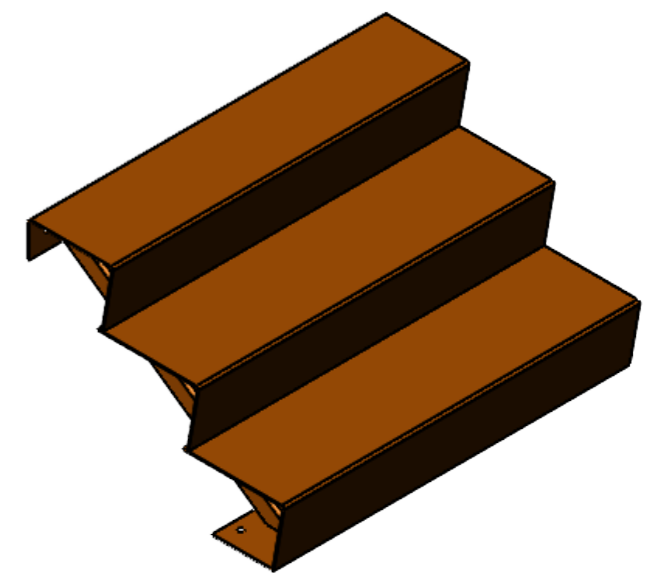
B

C

D

E

F



DRAWN	Luuk van den Heuvel	DATE	19-5-2022	
REVISION				
		Liessentstraat 4, 5405 AG Uden (NL). t 0031 (0)413 - 27 41 68. e info@adezz.com, i www.adezz.com		
Color:	-	Mass (kg):	46.33	

TITLE:		3mm Corten	
Drawing:		CST3.1 Product	A3
SCALE:1:15	SHEET 1 OF 6		